

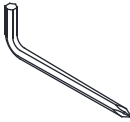











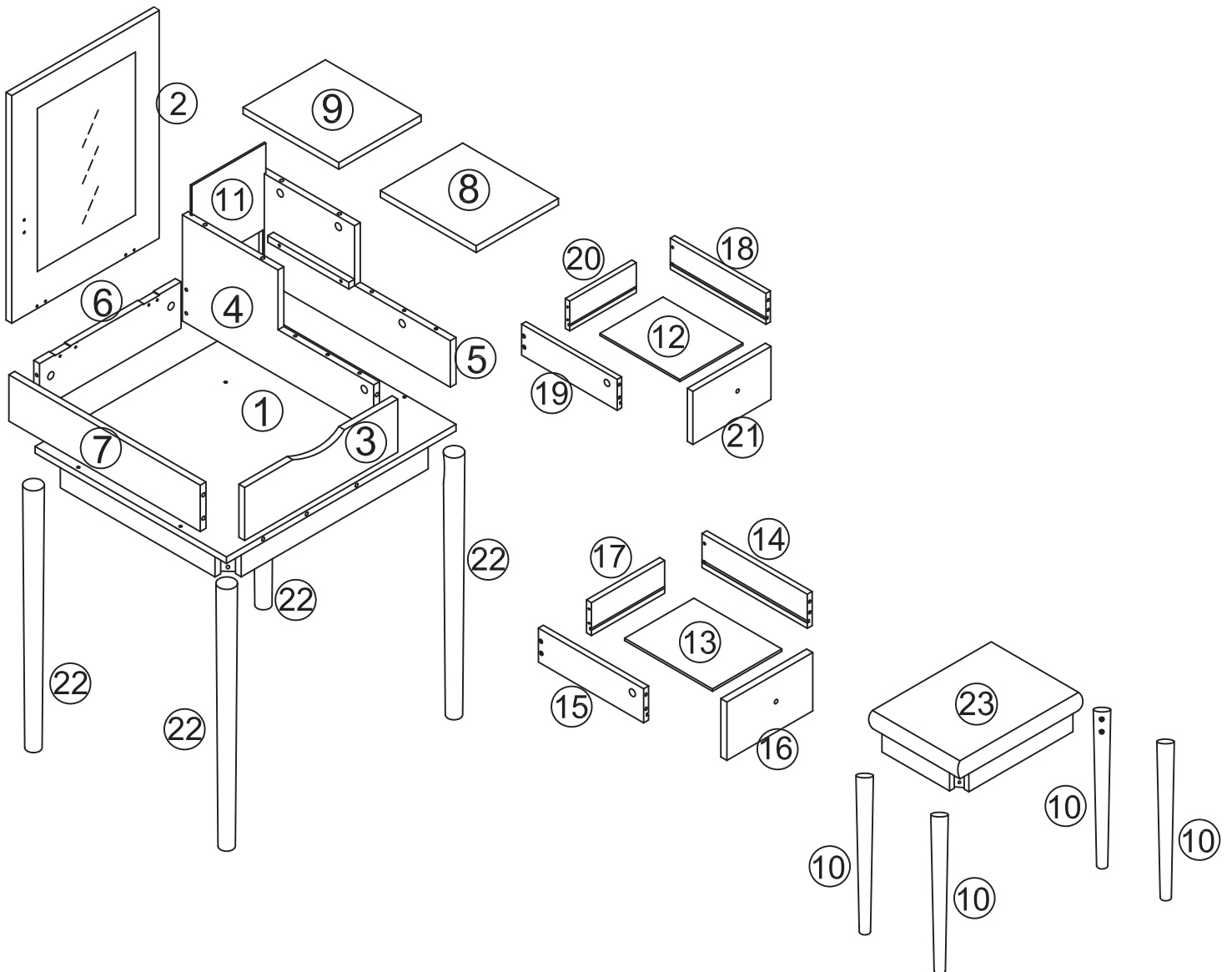
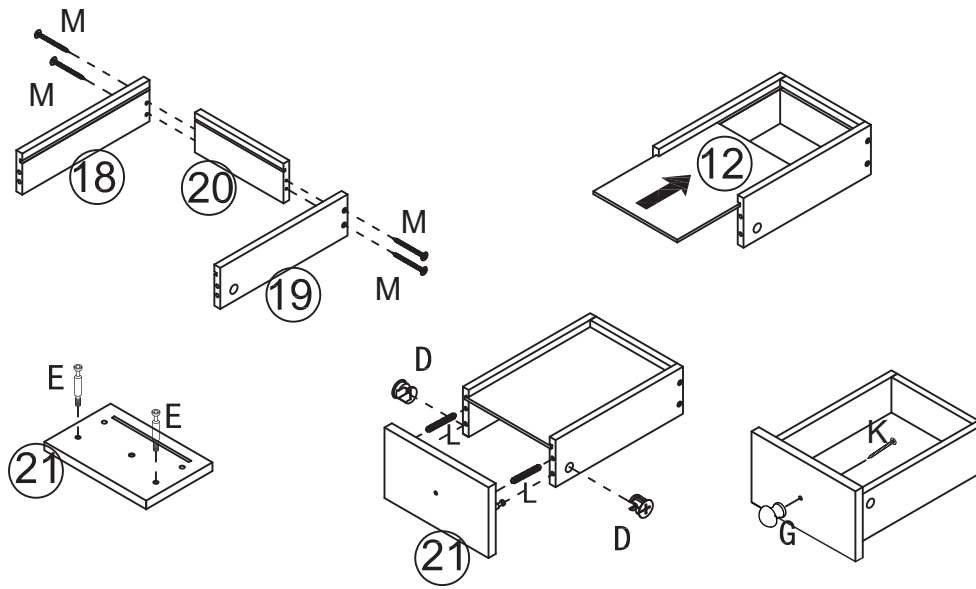


A	x16	B	x16	C	x1	D	x15
 6x55mm							
E	x15	F	x8	G	x2	H	x2
							
I	x13	J	x1	K	x2	L	x14
 3x10mm				 4x18mm		 6x30mm	
M	x14	N	x1				
 4x30mm							

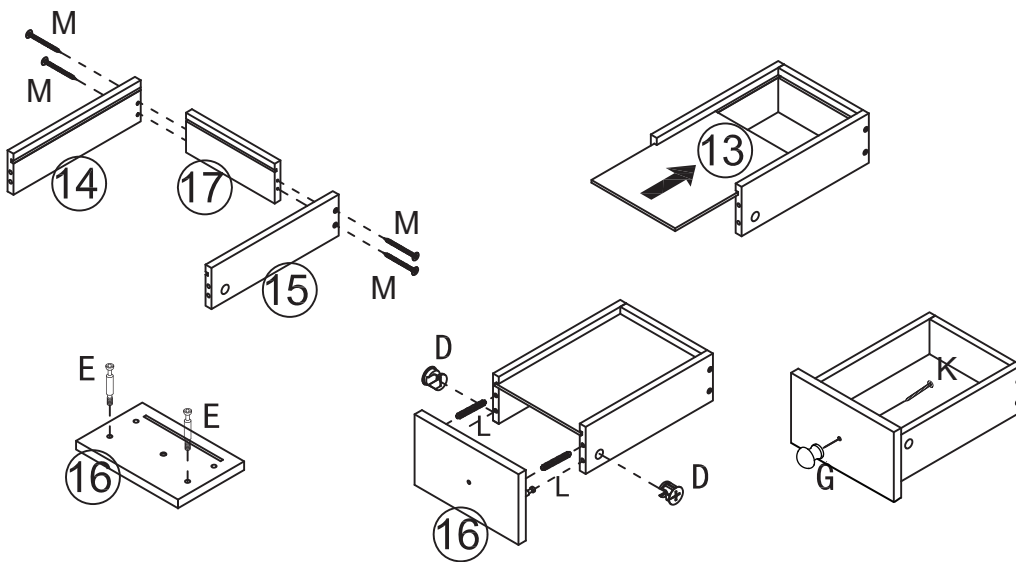


1



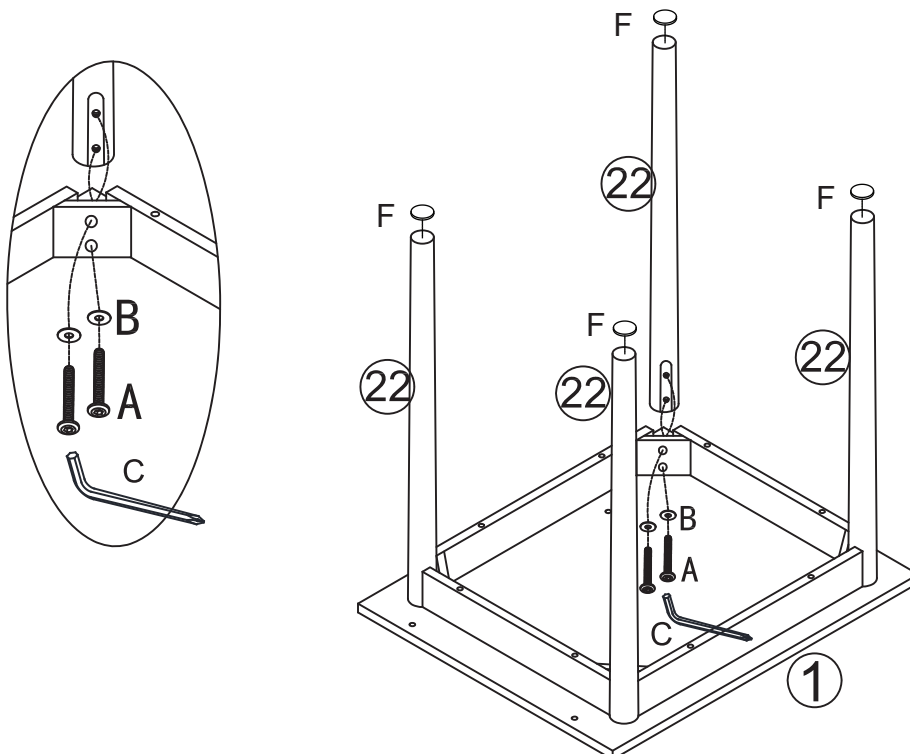
	E x 2
	D x 2
	M x 4
	G x 1
	K x 1
	L x 2

2



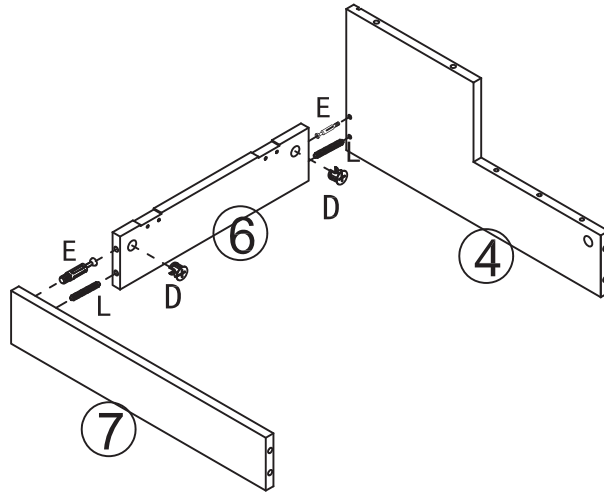
	E x 2
	D x 2
	M x 4
	G x 1
	K x 1
	L x 2




3



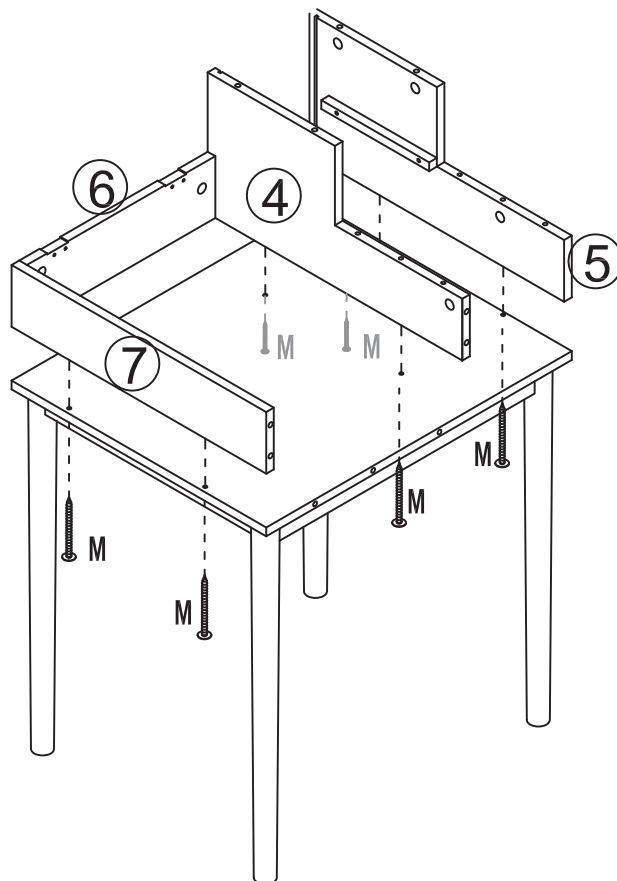
	A x 8
	B x 8
	C x 1
	F x 4


4



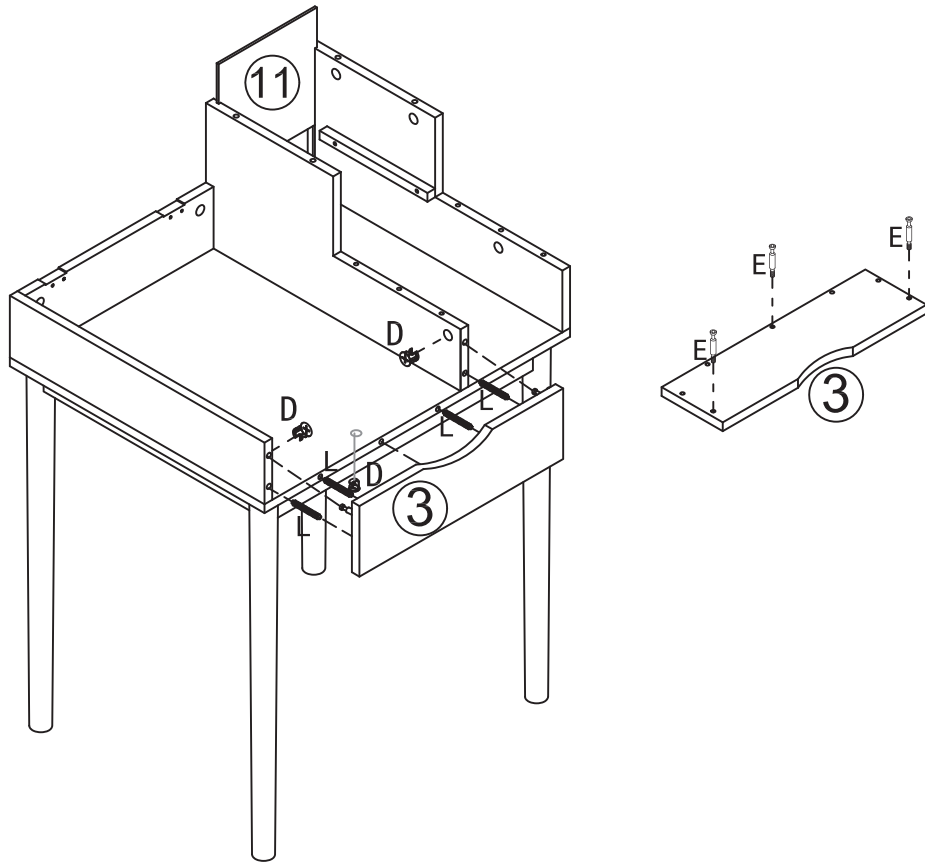
	E x 2
	D x 2
	L x 2




5



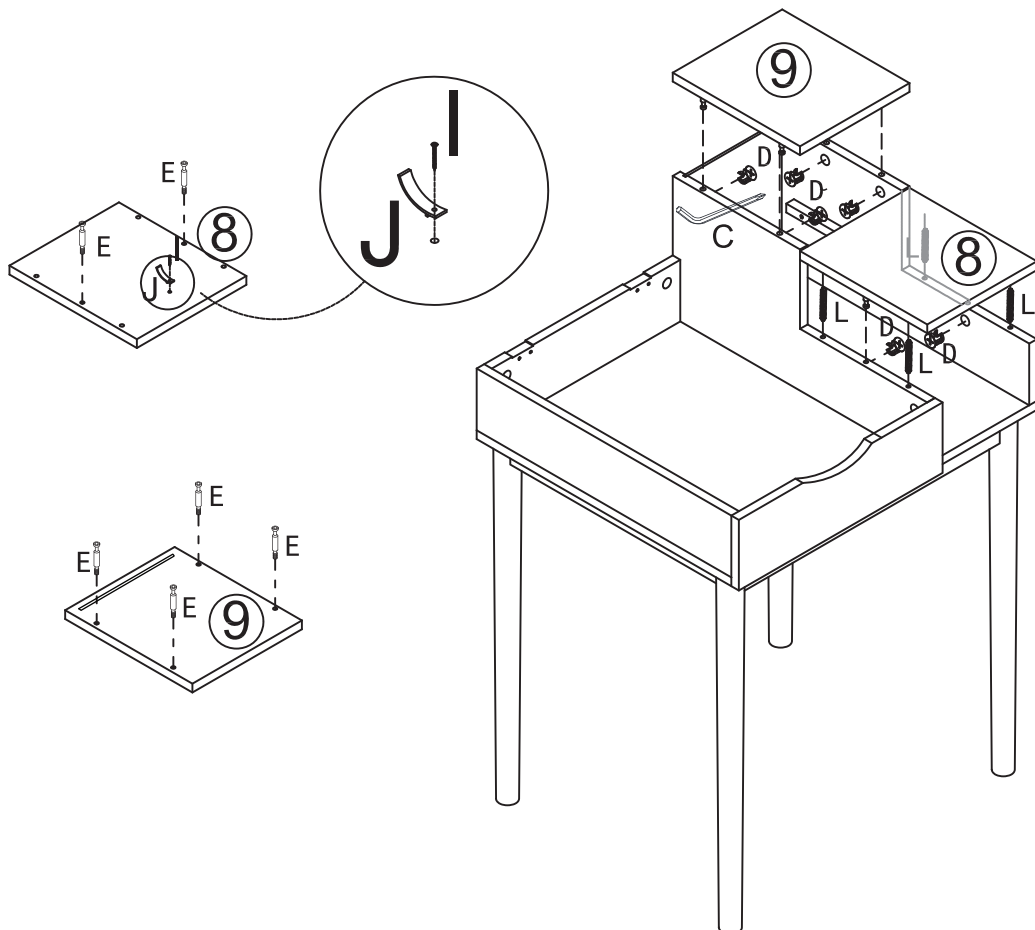
	M x 6
---	-------







6



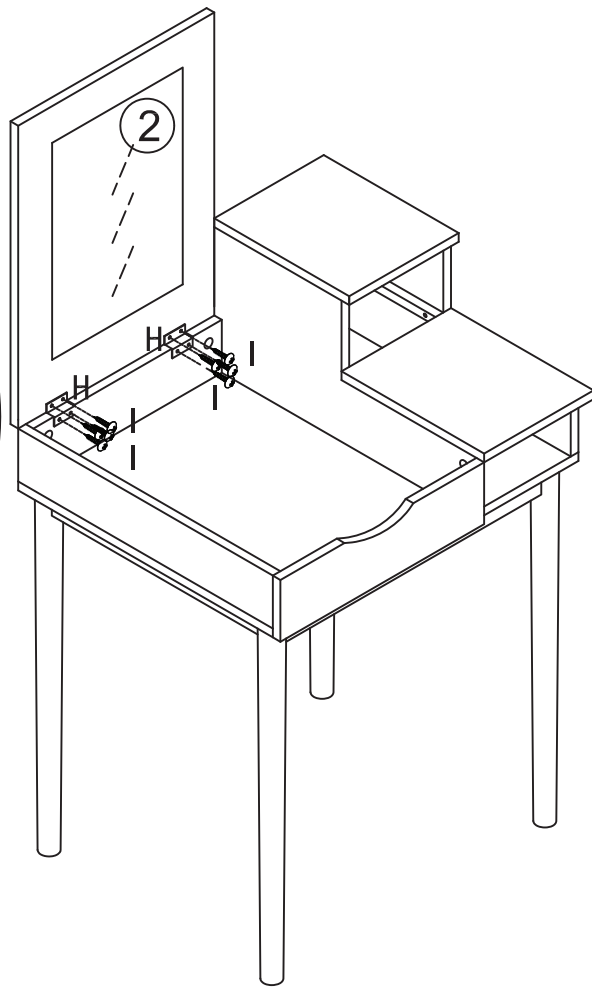
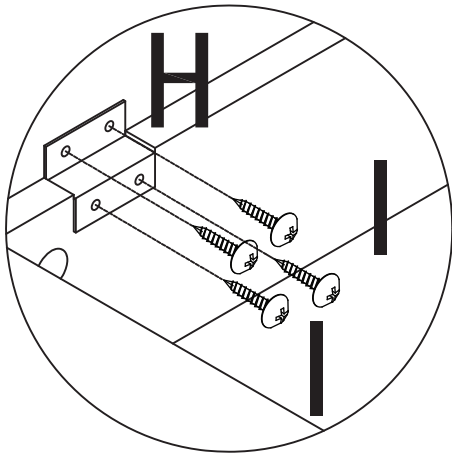
	E x 3
	D x 3
	L x 4



7



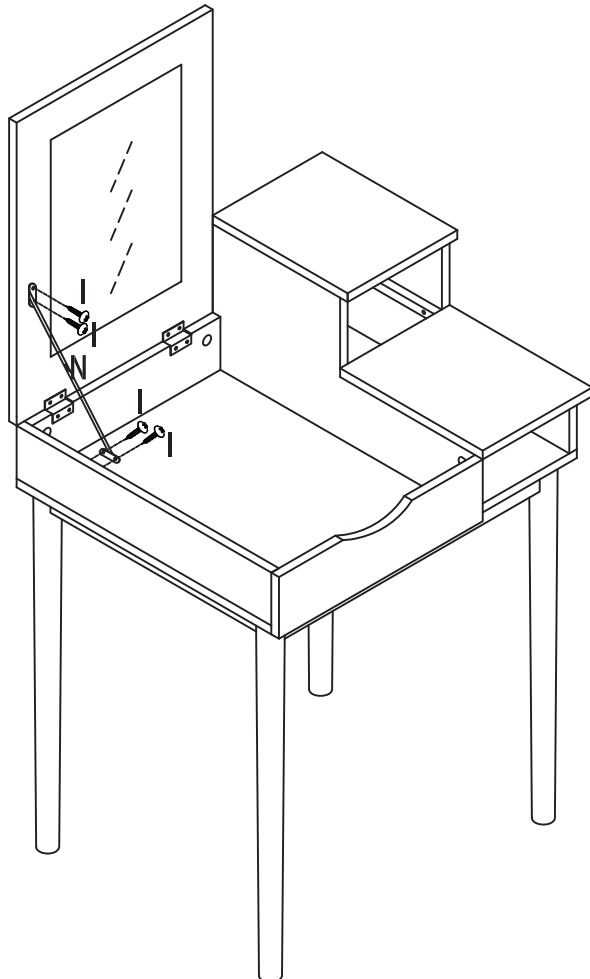
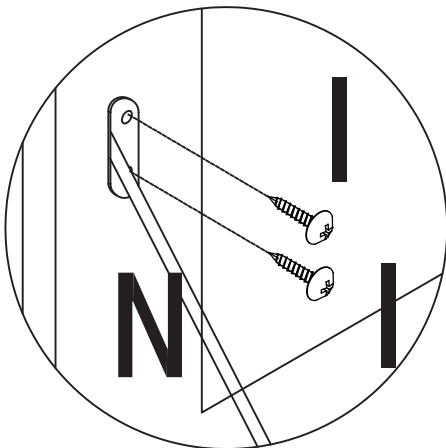
	E x 6
	D x 6
	C x 1
	I x 1
	J x 1
	L x 4



8



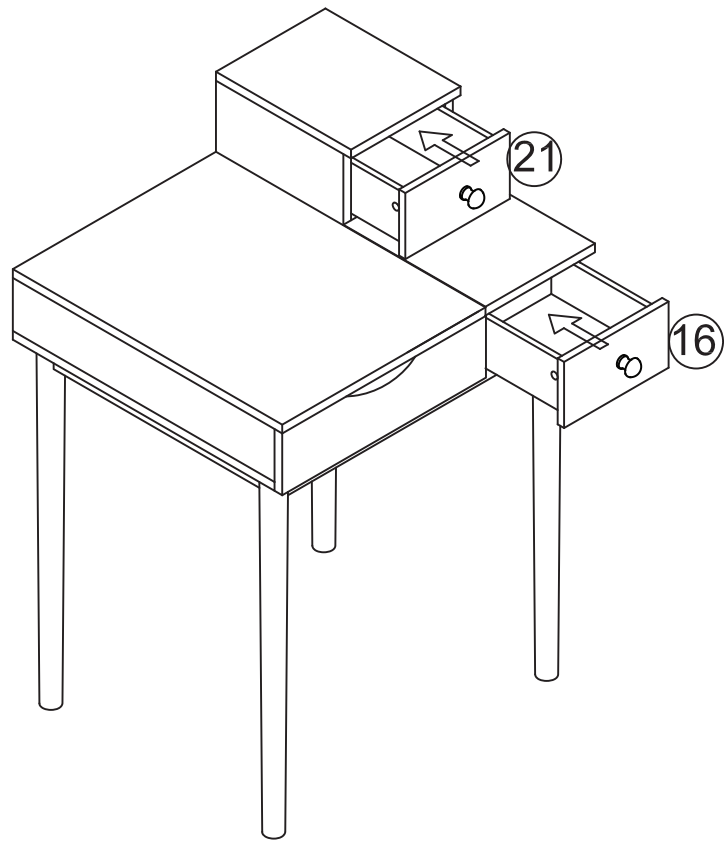
	H x 2
	I x 8

9

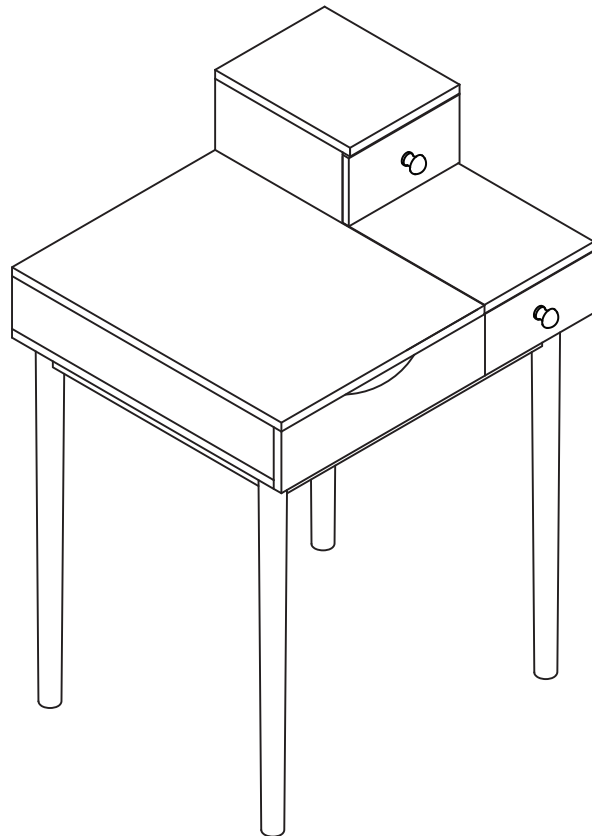


	N x 1
	I x 4

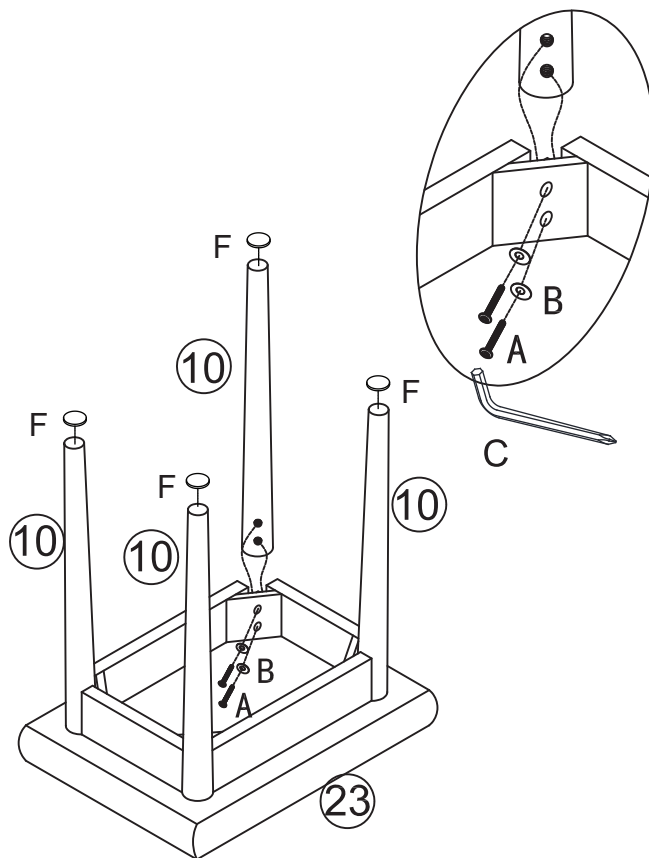
10







11



12



	A x 8
	B x 8
	C x 1
	F x 4

13

