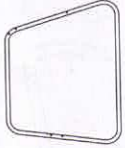

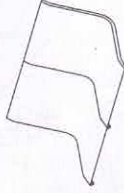


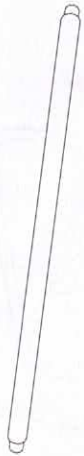

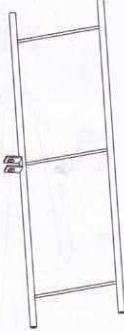

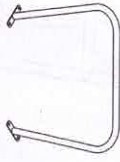









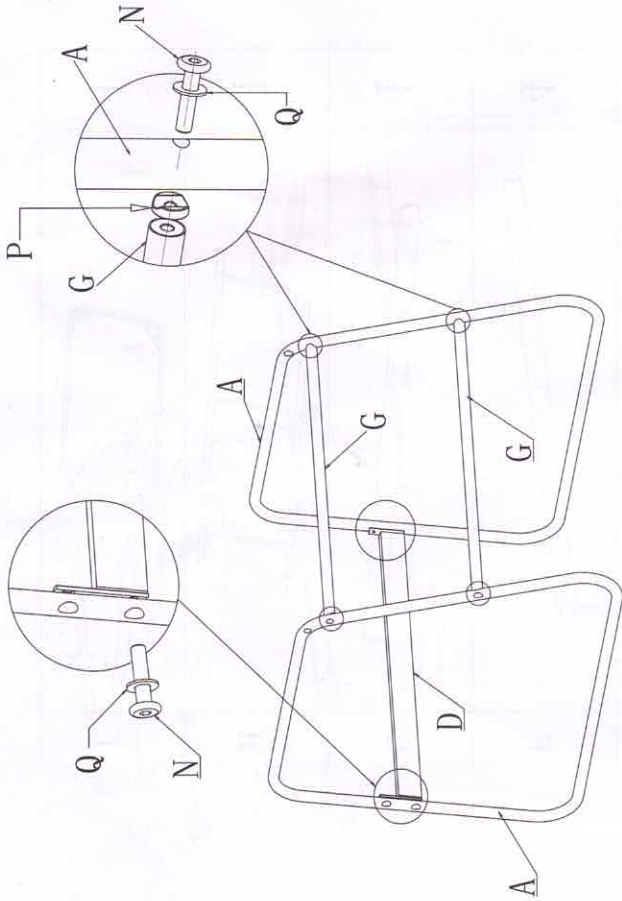


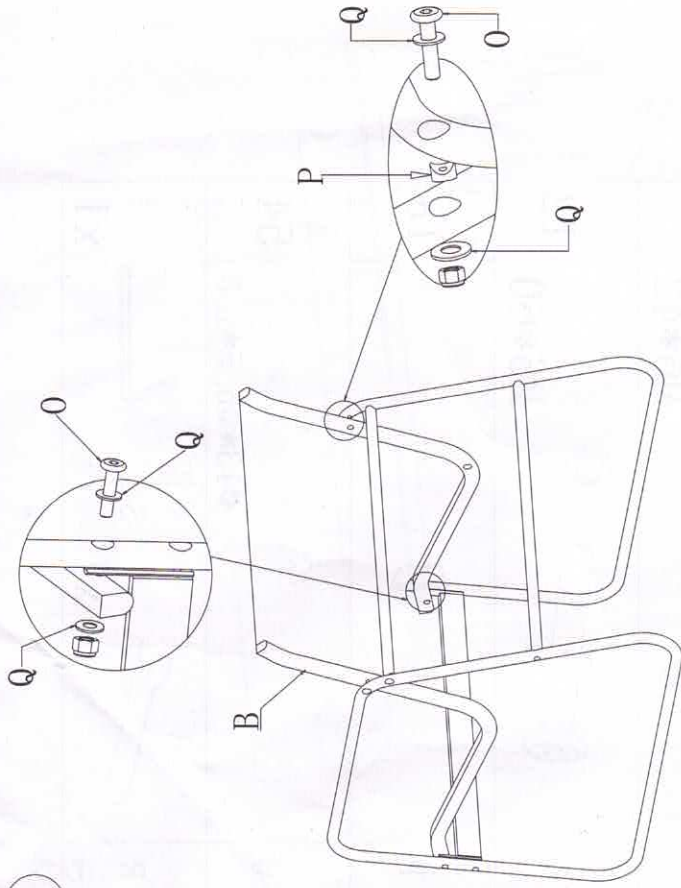
A		6
B		2
C		1
D		2
E		1
F		4
G		4
H		1
I		1

J		2
K		1
L		8 M6*20
M		2 M6*32
N		18 M6*42
O		12 M6*60
P		18
Q		54 $\phi 13 * \phi 6.5 * 1.0$
R		x1
		S x1

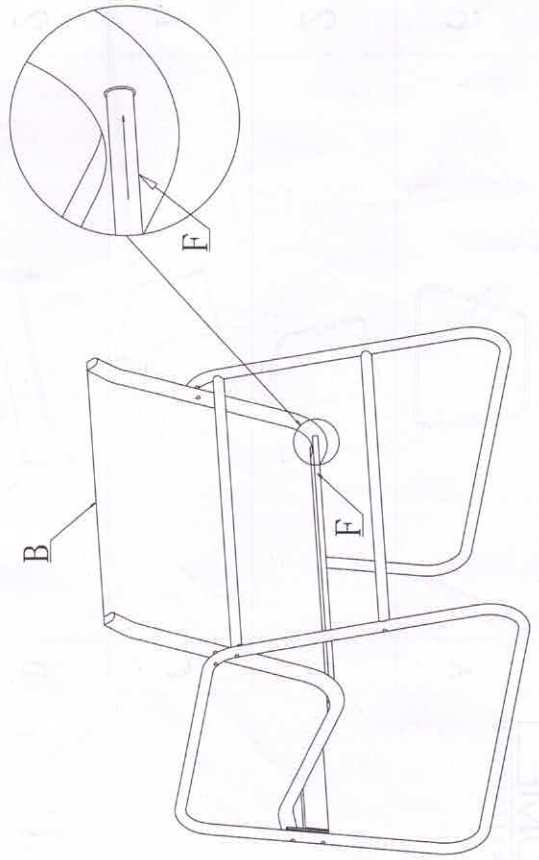
1



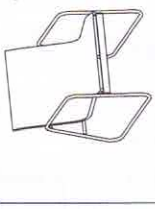
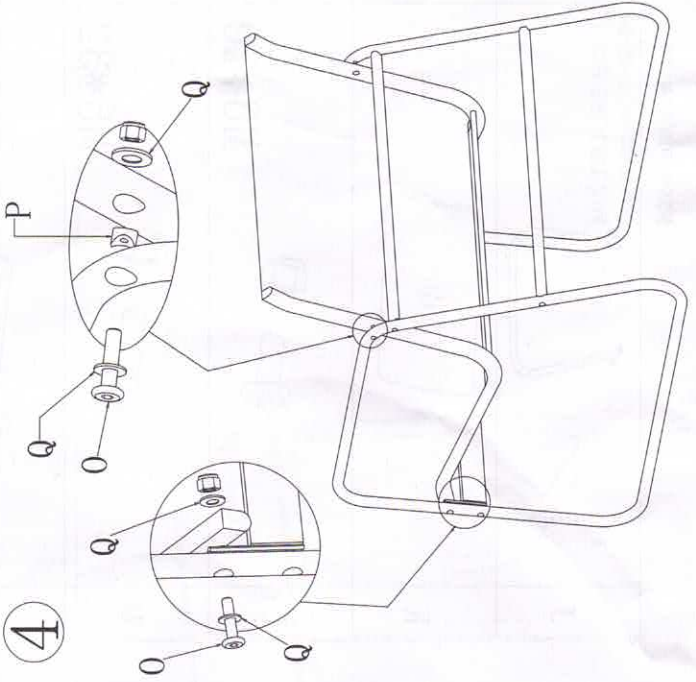
2

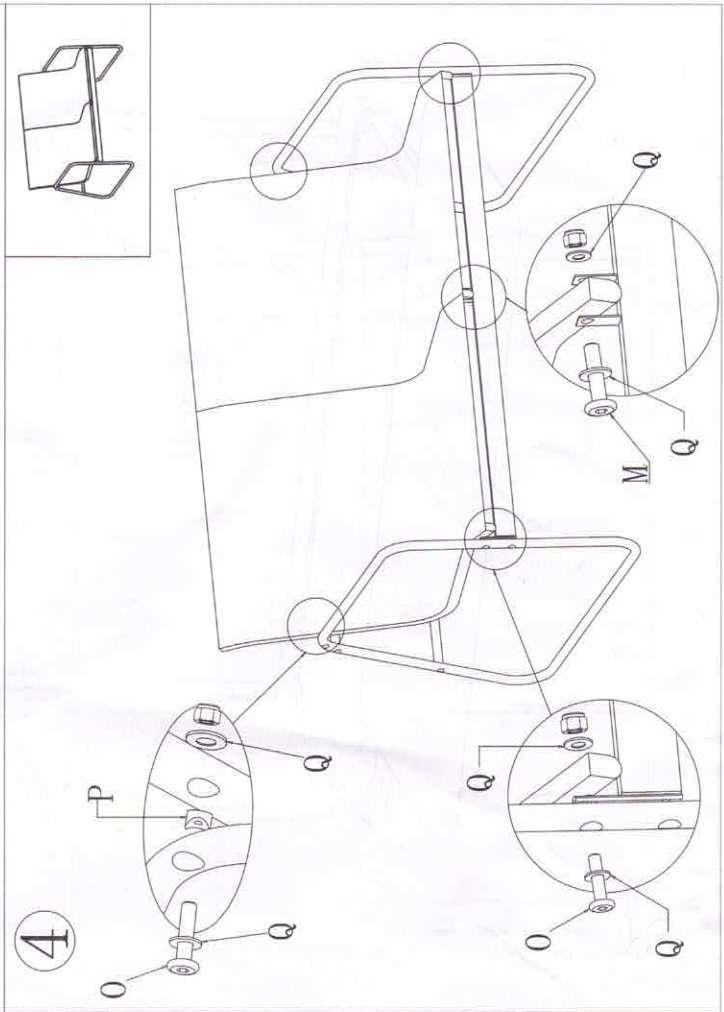
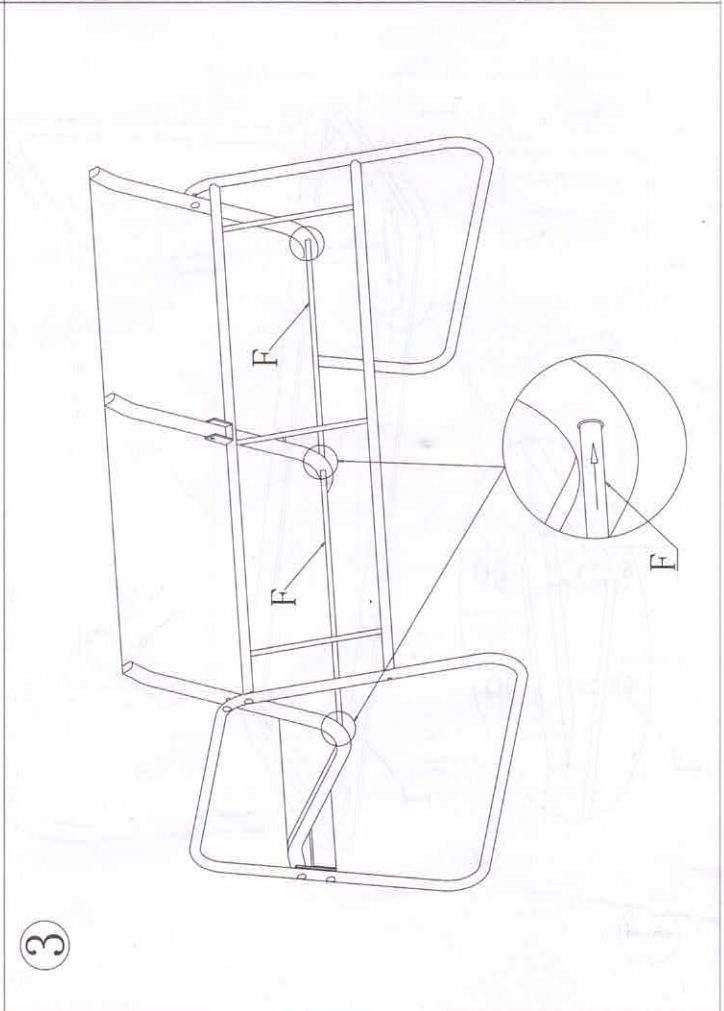
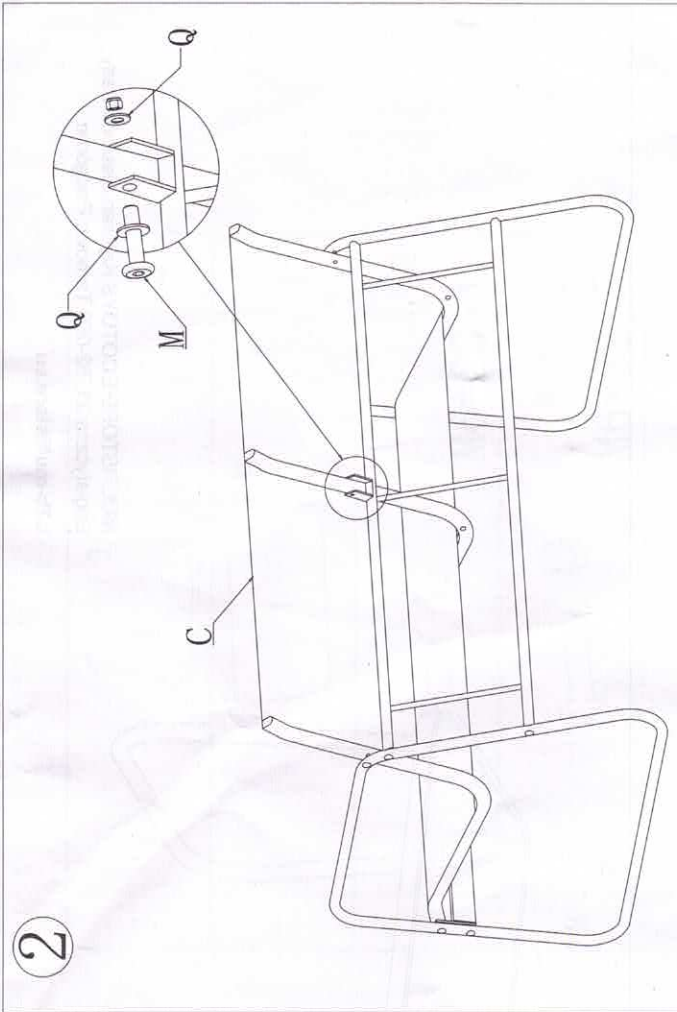
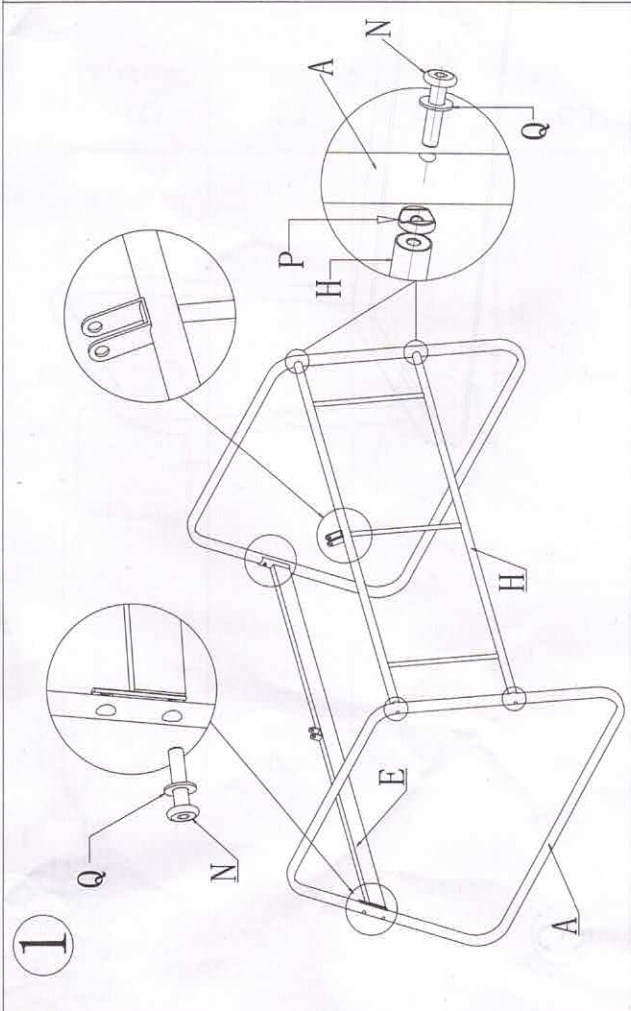


3

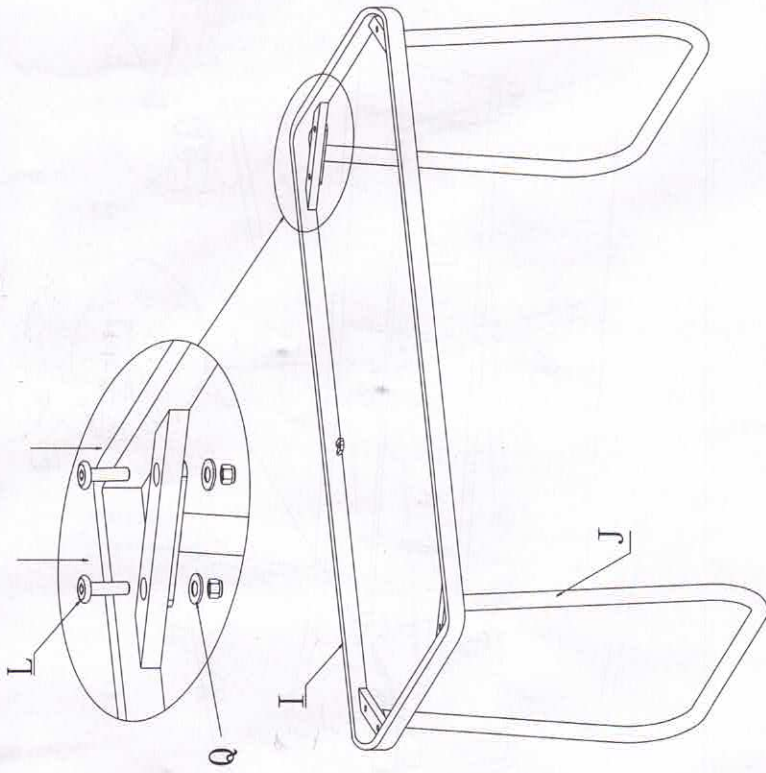


4

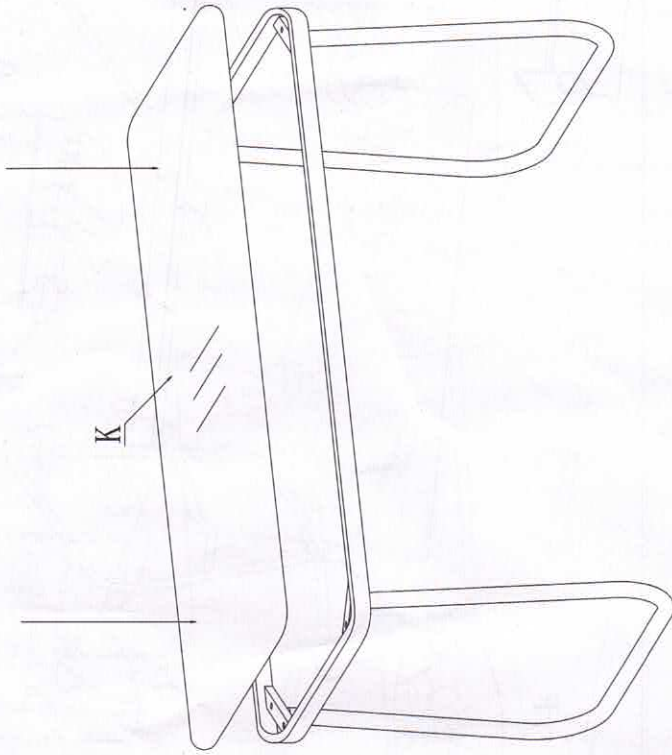




1



2



3

