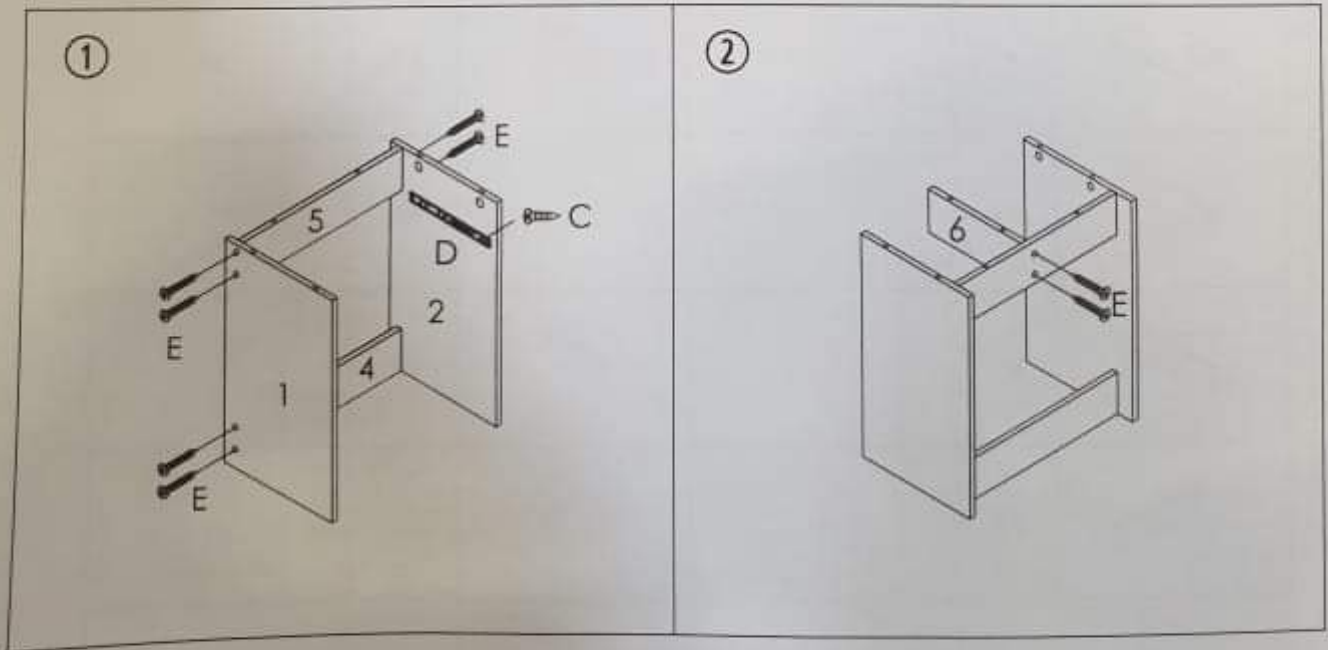
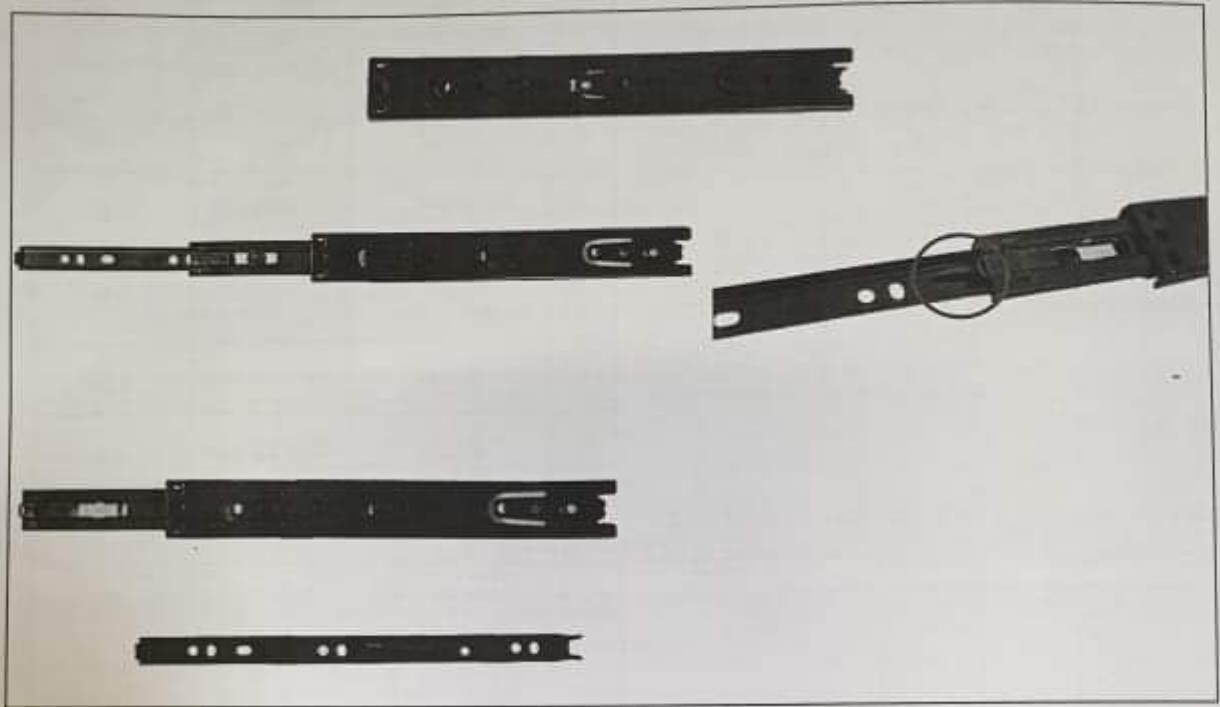
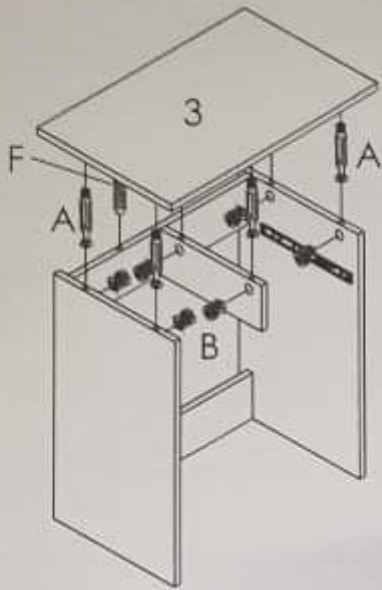


Screws and Accessories			
	Illustration	Dimension	Piece
A		M6 x 40 mm	x 10
B		11 mm	x 10
C		14 mm	x 8
D			x 2
E		M8 x 40 mm	x 26
F		M5 x 35 mm	x 2

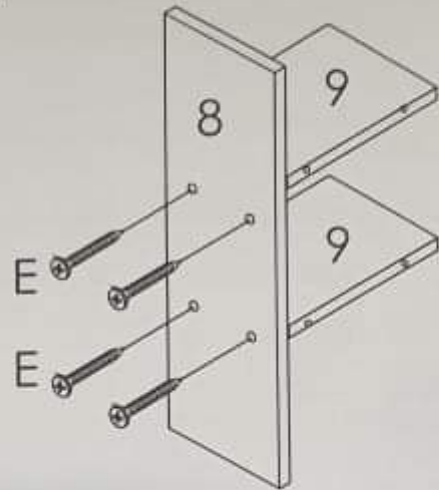
Parts List / Lista części					
Part art	Piece	Match number	Part art	Piece	Match number
	x 1	1		x 1	8
	x 1	2		x 2	9
	x 1	3		x 1	10
	x 1	4		x 1	11
	x 1	5		x 1	12
	x 1	6		x 1	13
	x 1	7		x 1	14



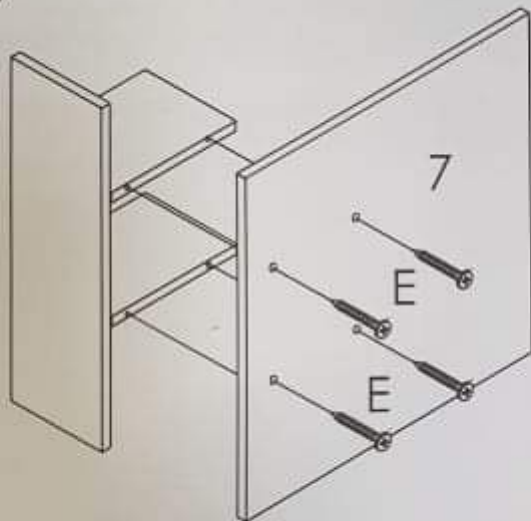
③



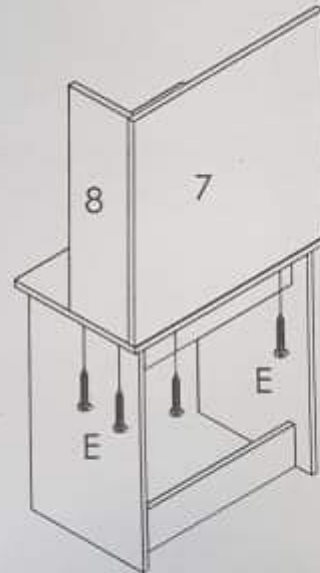
④



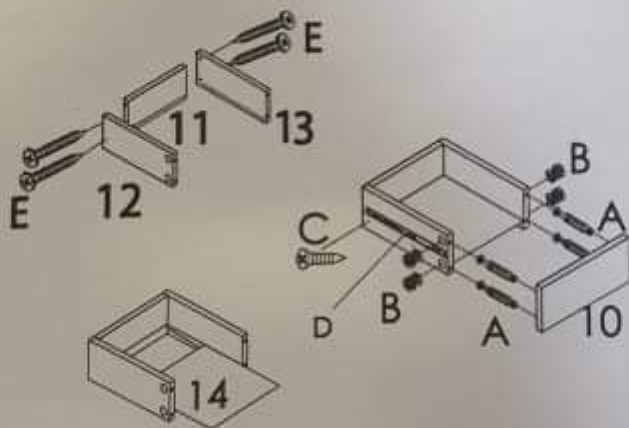
⑤



⑥



⑦



⑧

