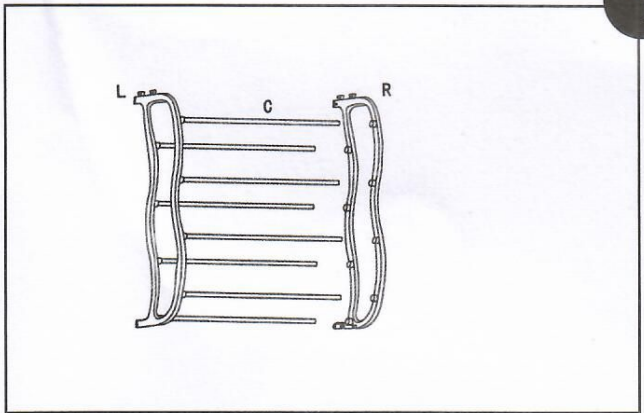


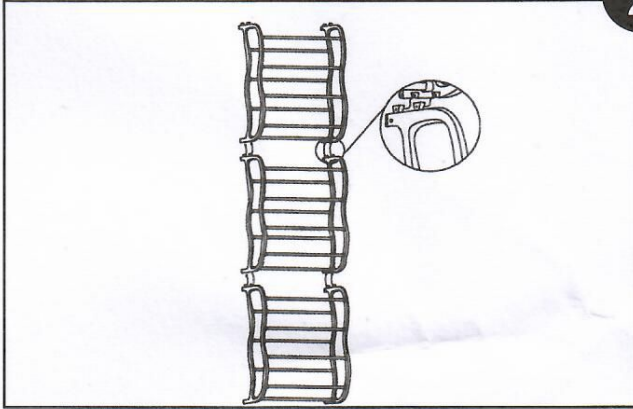
1. Insert metal tubes into one of the plastic side rails.
Repeat with second side rail to complete first section

1



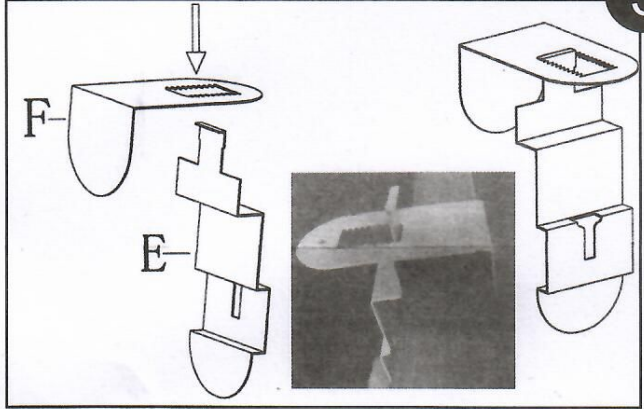
2. Repeat first step for remaining sections if desired. Attach all built sections to build rack

2



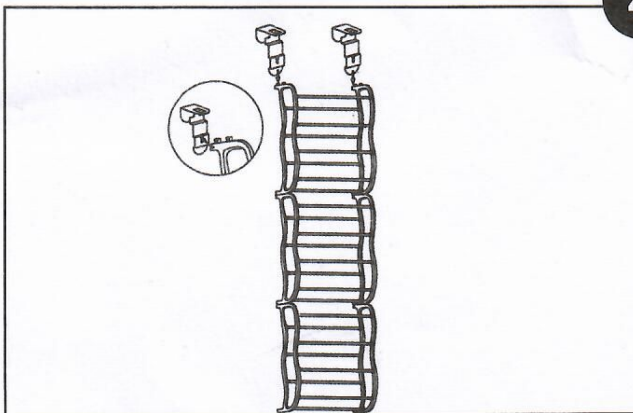
3. Connect hanging hook part F to part E and adjust hook to fit with your door

3



4. Attach shoe rack to hooks through slots in parts E

4



5. Hang shoe rack over your door

5

